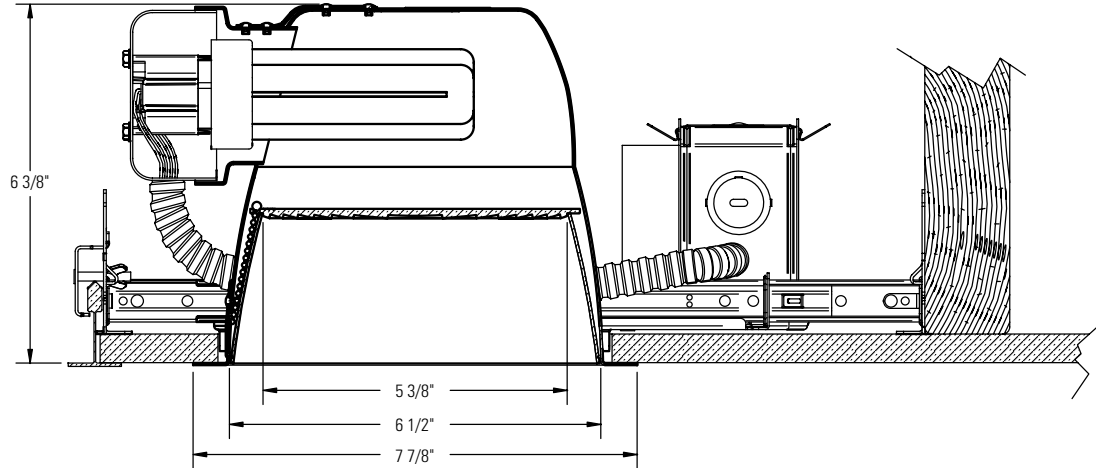


Lytecaster® Performance Recessed CFL Downlighting **1101HL**

Page 1 of 1

6 3/4" Aperture Horizontal Wet Location, Compact Fluorescent, Performance Series, Reflector Trim



Complete Fixture consists of Frame-In Kit and Reflector Trim. Select each separately.

Uniframe™ Compact Fluorescent Performance Series Reflector Trims		Compatible Frame-In Kits (See Individual Frame-In Kit Specification Sheets)		
Catalog No.	Description	Catalog No.	Installation Type	Lamping
1101HCLF	6-3/4" Horizontal Wet Location Fresnel – Specular Clear	1101F18U	Uniframe™ Non-IC 120/277v	18w Quad/Triple
1101HCDF	6-3/4" Horizontal Wet Location Fresnel – Clear Diffuse	1101FR18U	Uniframe™ Non-IC Remodeler 120/277v	
1101HWHF	6-3/4" Horizontal Wet Location Fresnel – Matte White	1101FD26L1	Uniframe™ Non-IC Lutron Dimming 120v	26w Quad/Triple
1101HCLC	6-3/4" Horizontal Wet Location Clear – Specular Clear	1101FD26L2	Uniframe™ Non-IC Lutron Dimming 277v	
1101HCDC	6-3/4" Horizontal Wet Location Clear – Clear Diffuse	1101FD32L1	Uniframe™ Non-IC Lutron Dimming 120v	32w Triple
1101HWHC	6-3/4" Horizontal Wet Location Clear – Matte White	1101FD32L2	Uniframe™ Non-IC Lutron Dimming 277v	
1101HCLO	6-3/4" Horizontal Wet Location Opal – Specular Clear	1101F2642U	Uniframe™ Non-IC 120/277v	26w Quad/Triple
1101HCDO	6-3/4" Horizontal Wet Location Opal – Clear Diffuse	1101FR2642U	Uniframe™ Non-IC Remodeler 120/277v	32w Triple
1101HWHO	6-3/4" Horizontal Wet Location Opal – Matte White	1101F2642UEM	Uniframe™ Non-IC Emergency 120/277v	42w Triple
		1101FD2642MX1	Uniframe™ Non-IC Advance Mark10 Dimming 120v	
		1101FD2642MX2	Uniframe™ Non-IC Advance Mark10 Dimming 277v	
		1101FD2642M7U	Uniframe™ Non-IC Advance Mark7 Dimming 120/277v	
		1101F18ICU/N	Performance IC 120/277v	18w Quad/Triple
		1101F2642ICU	Performance IC 120/277v	26w Quad/Triple
		1101F2642IUN		32w Triple
				42w Triple
		1101FDICMX1/N	Performance IC Advance Mark10 Dimming 120v	26w Quad/Triple
				32w Triple
		1101FDICMX2/N	Performance IC Advance Mark10 Dimming 277v	26w Quad/Triple
				32w Triple

Features

- Reflector:** Formed aluminum. Matte White flange.
- Finishes:** CL = Specular Clear (Iridescent Free coating)
CD = Clear Diffuse
WH = Matte White Paint
- Lenses:** Clear Acrylic, Textured Acrylic Fresnel, Opal Acrylic
- Performance Data:** 60° Cutoff angle.
See attached photometric reports for distribution and efficiency data.
Go to www.lightolier.com for .IES files.

Labels

cULus Listed. Suitable for Wet Locations. I.B.E.W.

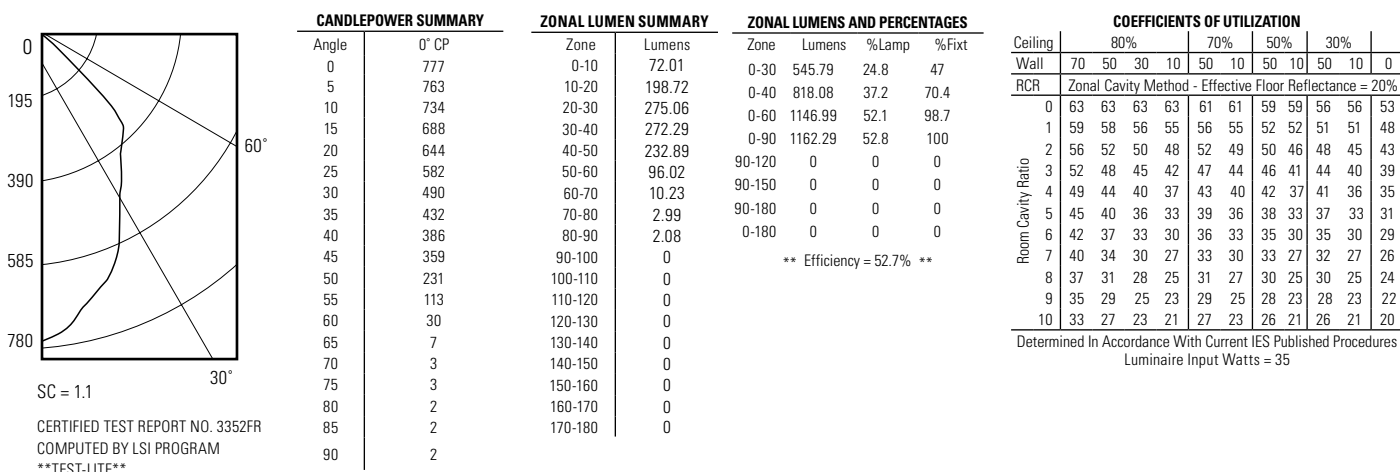
Job Information	Type:
Job Name:	
Cat. No.:	
Lamp(s):	
Notes:	

Lightolier a Genlyte company www.lightolier.com
631 Airport Road, Fall River, MA 02720 • (508) 679-8131 • Fax (508) 674-4710
We reserve the right to change details of design, materials and finish.
© 2007 Genlyte Group LLC • C1007

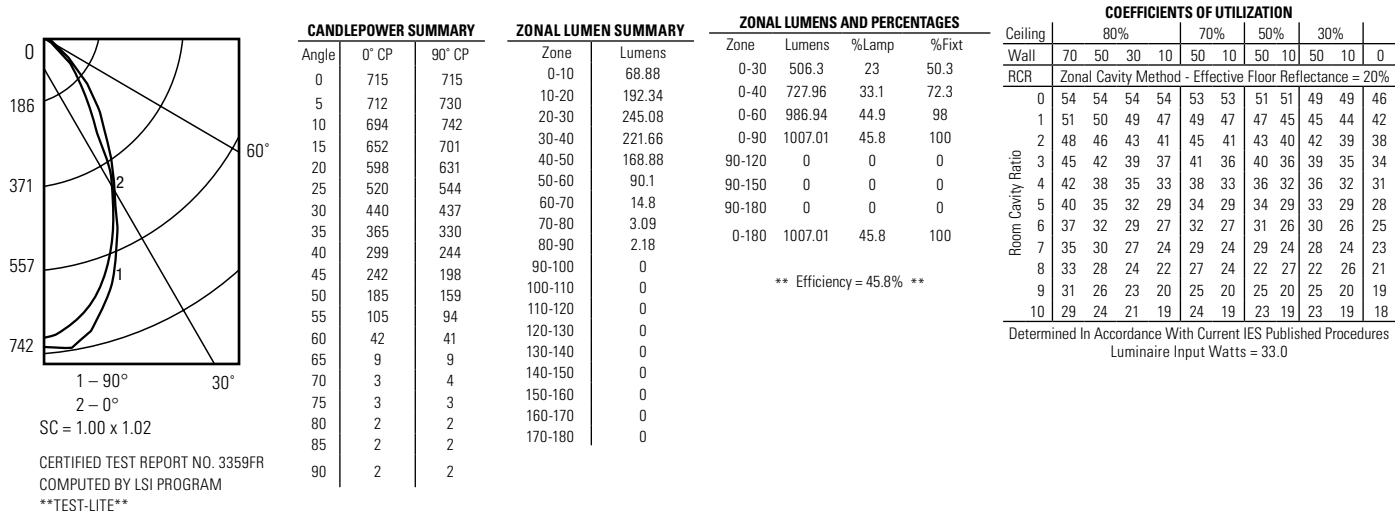
LIGHTOLIER®

Lytecaster® Performance Recessed CFL Downlighting **1101HL**

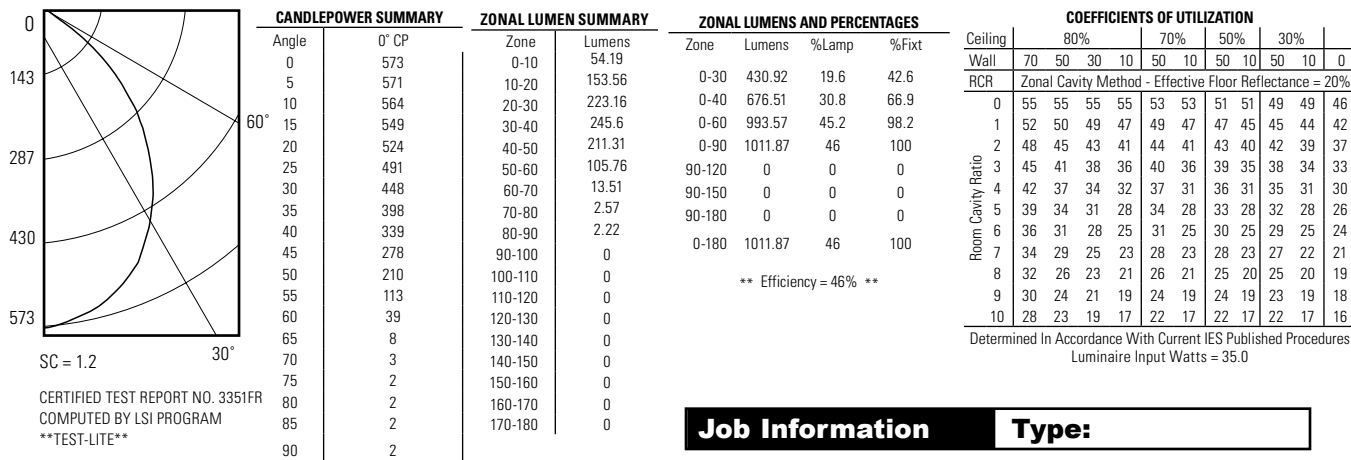
32W TRIPLE TUBE LAMP, LUMEN RATING = 2200 LMS, ELECTRONIC BALLAST, CL FINISH TRIM WITH CLEAR LENS



32W TRIPLE TUBE LAMP, LUMEN RATING = 2200 LMS, ELECTRONIC BALLAST, CL FINISH TRIM WITH FRESNEL LENS



32W TRIPLE TUBE LAMP, LUMEN RATING = 2200 LMS, ELECTRONIC BALLAST, CL FINISH TRIM WITH OPAL LENS



Job Information **Type:**

Lightolier a Genlyte company www.lightolier.com
 631 Airport Road, Fall River, MA 02720 • (508) 679-8131 • Fax (508) 674-4710
 We reserve the right to change details of design, materials and finish.
 © 2007 Genlyte Group LLC • C1007

LIGHTOLIER®